

# 3.6M Wind Screen

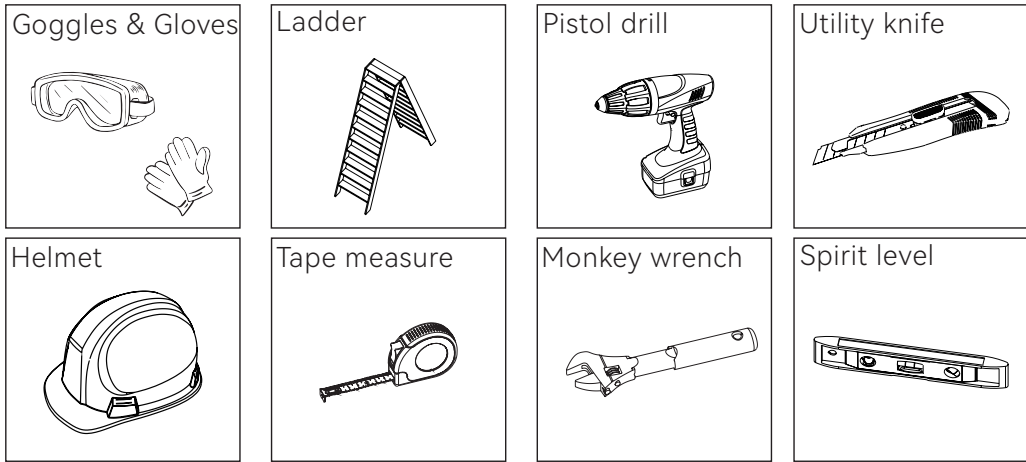
Assembly Instructions



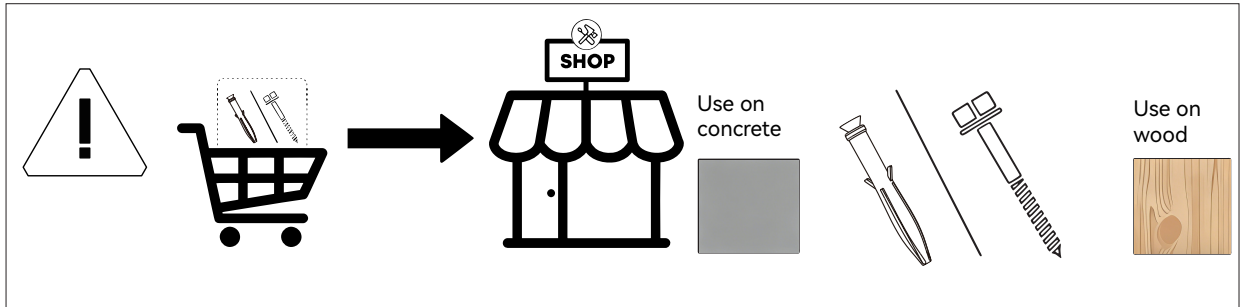
# Wind Screen

Please read the following instructions completely before you begin assembly. Any errors made during installation are not covered by the product's warranty. If you have any questions during the installation process, please call us .

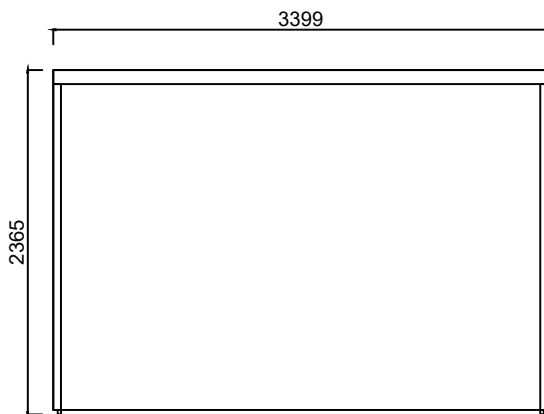
## NECESSARY TOOLS AND SAFETY GEAR(NOT SUPPLIED)



When installing your wind screen on the wall-mounted side, you will need to purchase the corresponding screws/fasteners.
















## 2D FOOTING MEASUREMENT

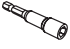


**3399x2365**

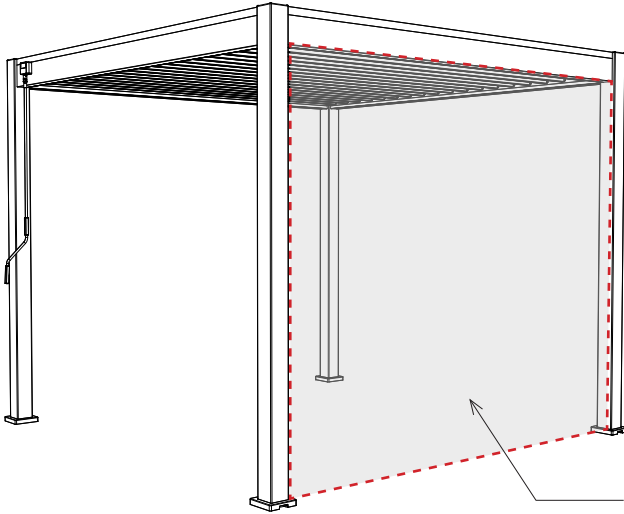
# CARTON LIST

REF	ICON		QTY
A			1
	A-1		1
	A-2		1
	A-3		1
	A-4		4
B			1
	B-1		1
	B-2		1
	B-3		1
	B-4		4
C-1			1

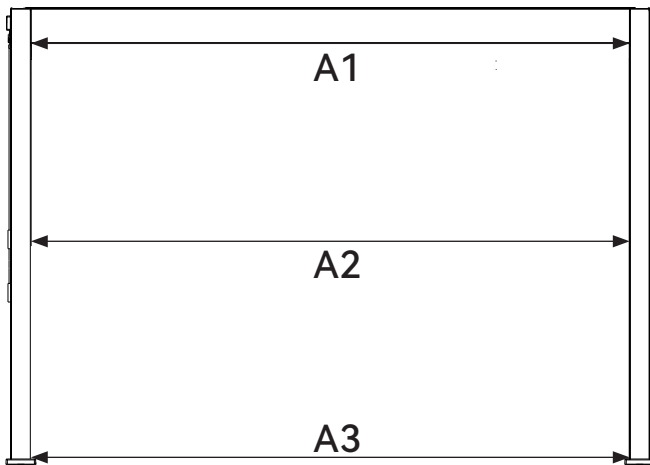
REF	ICON	QTY
K1		8
K2		1

REF	ICON	QTY
K3		1

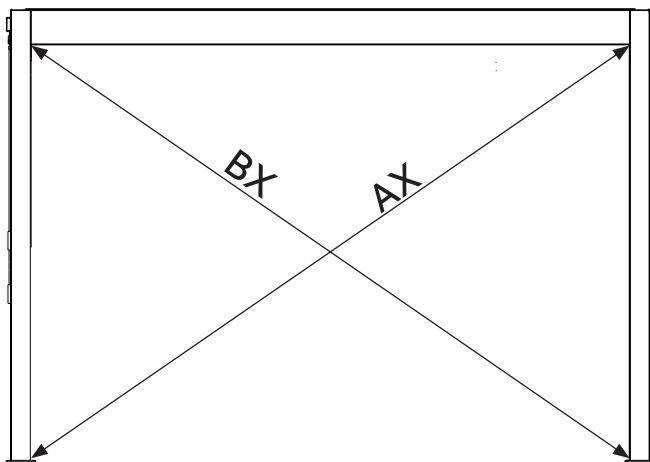
Before installation, please make sure the dimension should be correct as the diagram shows below, namely,  $A1=A2=A3$  and  $AX=BX$ . Please do not install the wind screen if the dimension is incorrect. Please adjust the finished size before installing.



Please choose which face to install the wind screen.



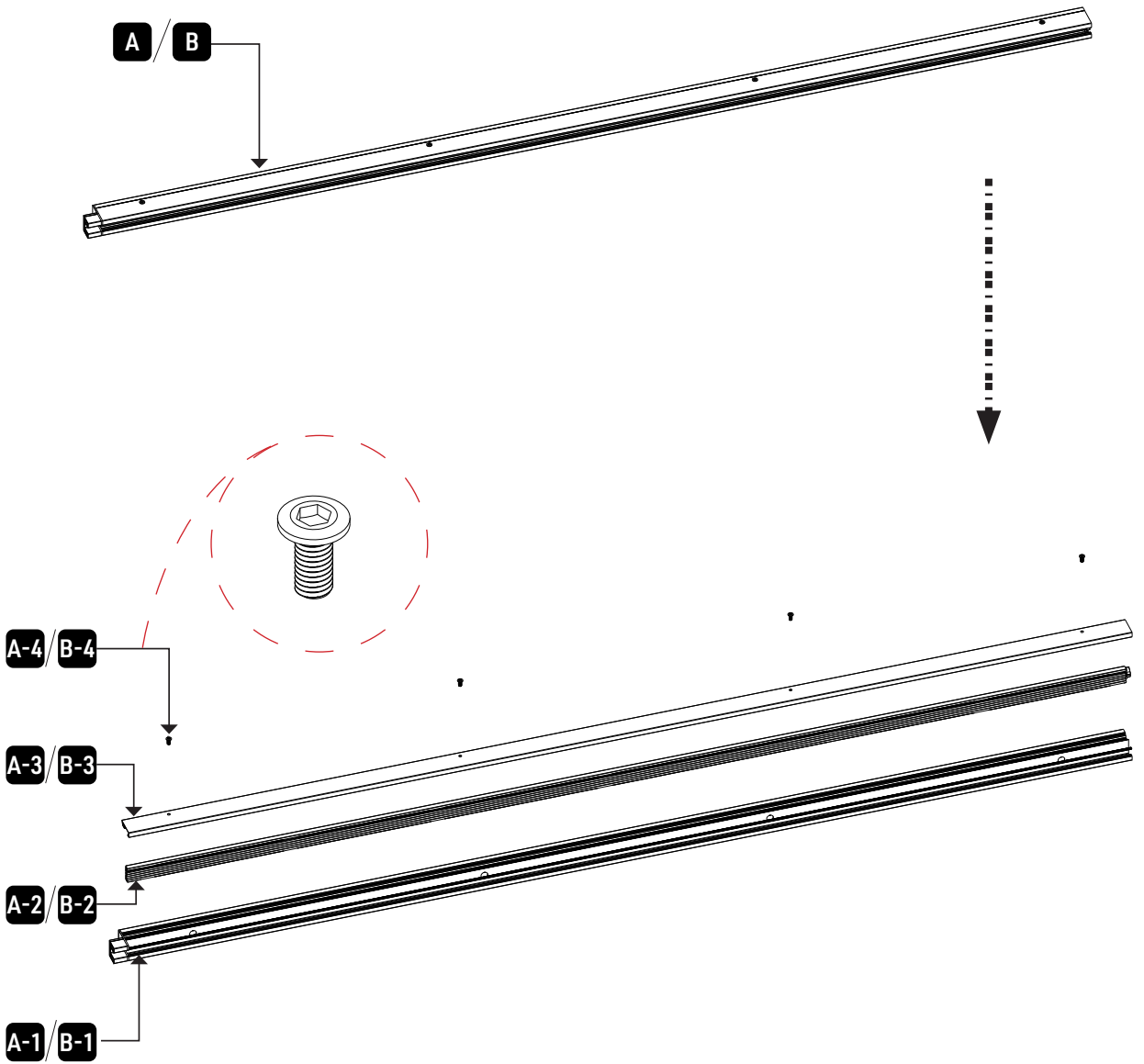
$$A1=A2=A3$$



$$AX=BX$$

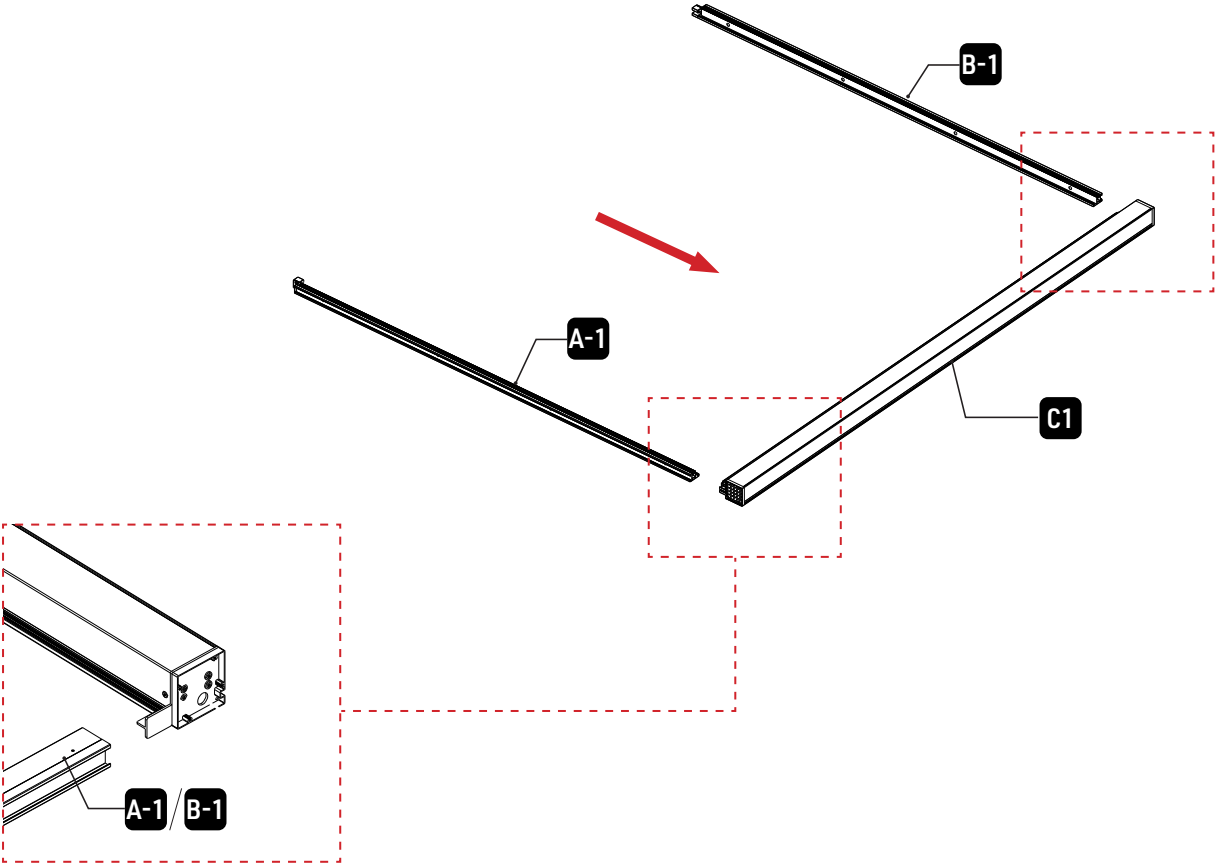
1

Disassemble the post A and B as shown above.



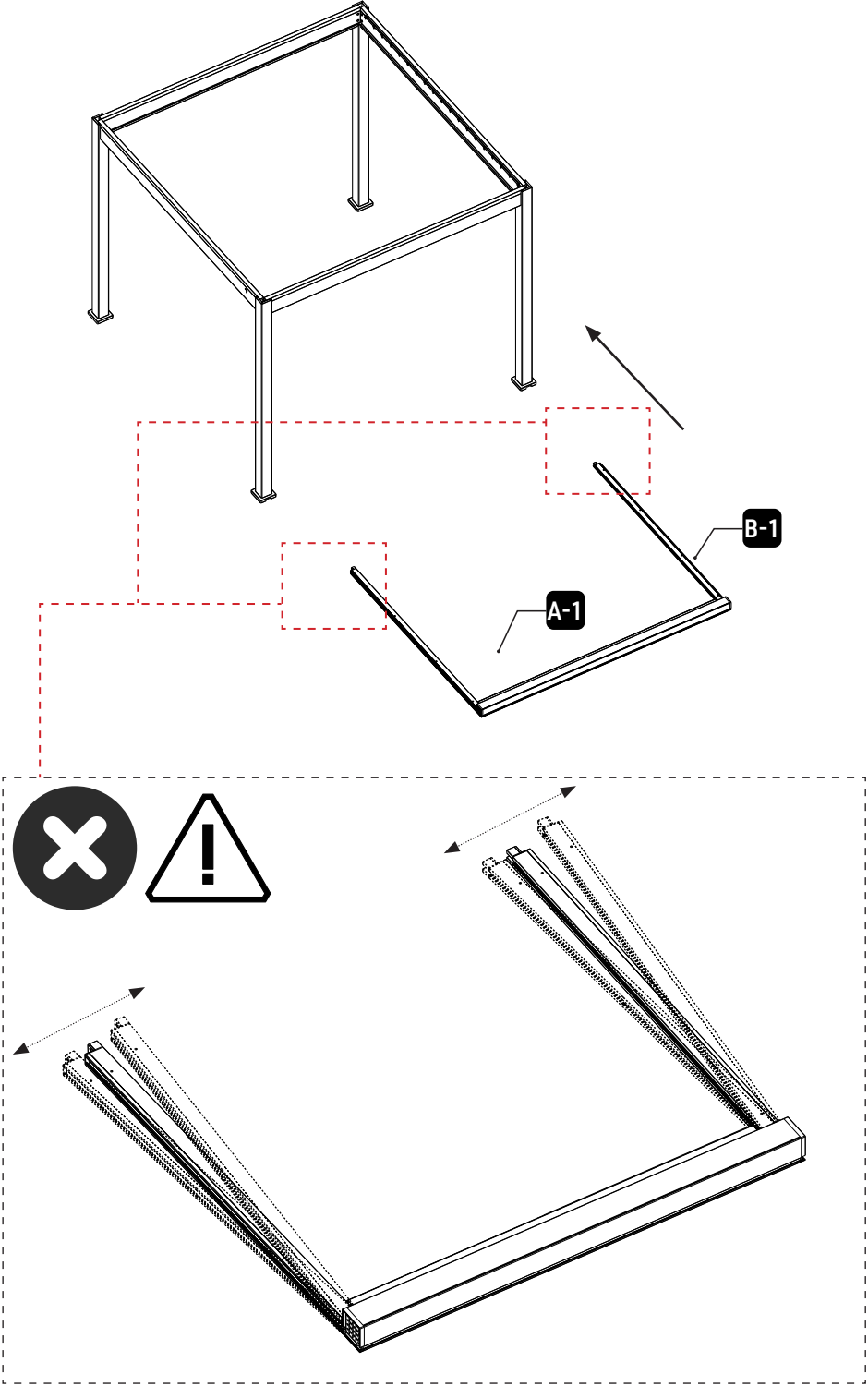
2

Insert A-1/B-1 into the side panel of wind screen box ( C1 ).



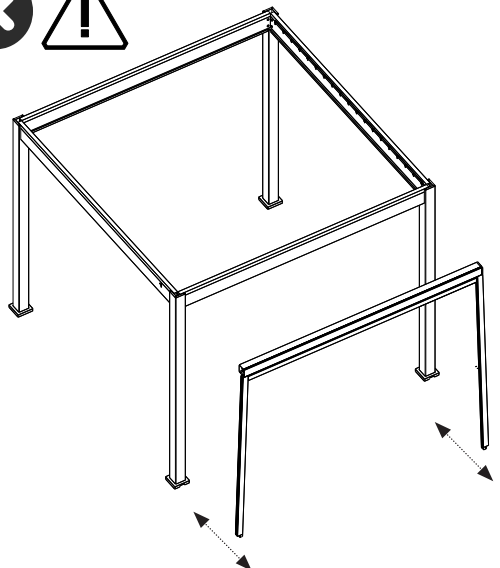
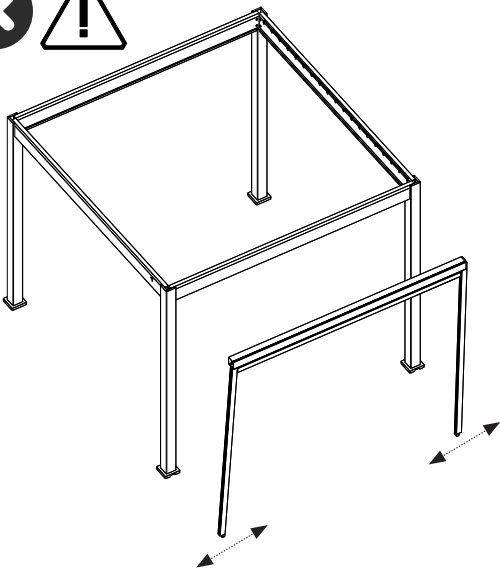
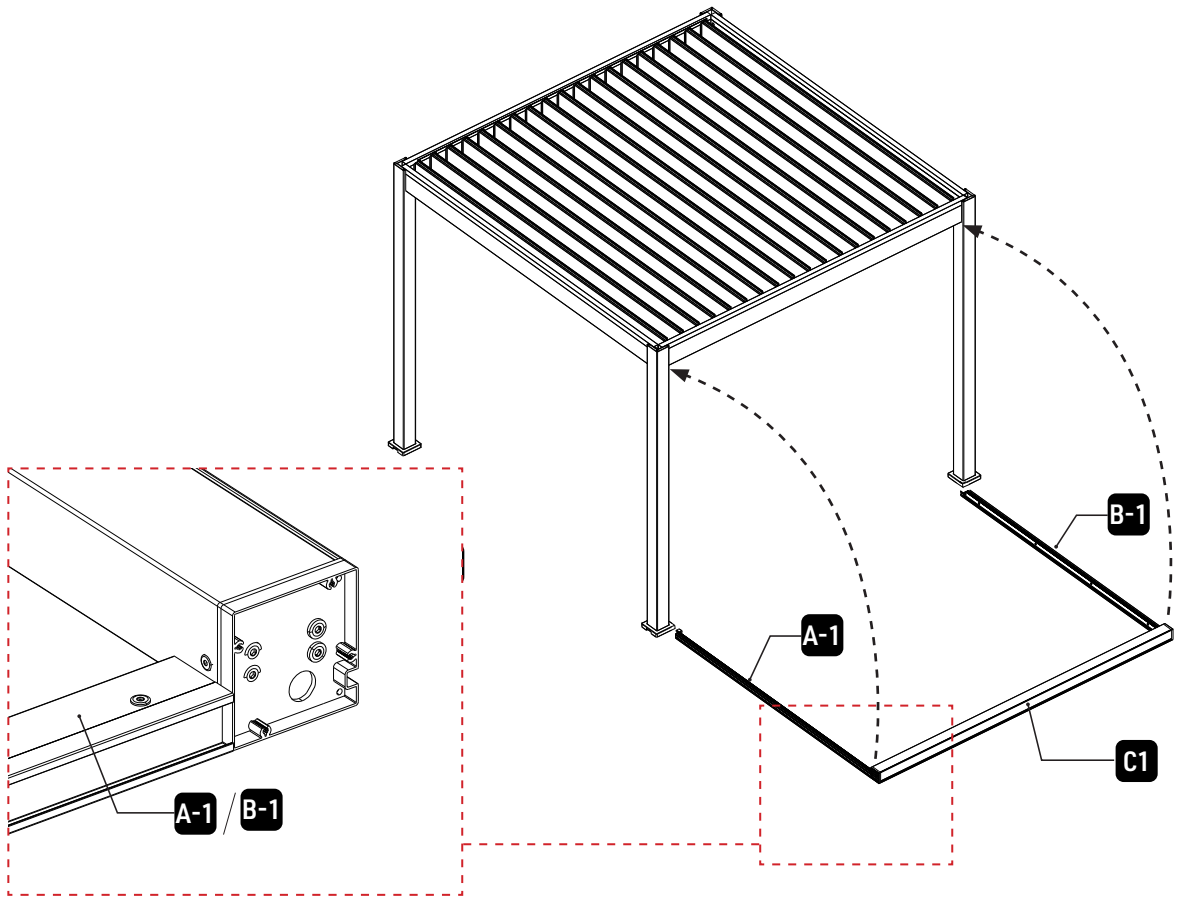
3

Do not swing A-1 and B-1 from side to side when moving blind under the pergola. Be careful to move the blind in a flat position and don't move the blind in an upright position.



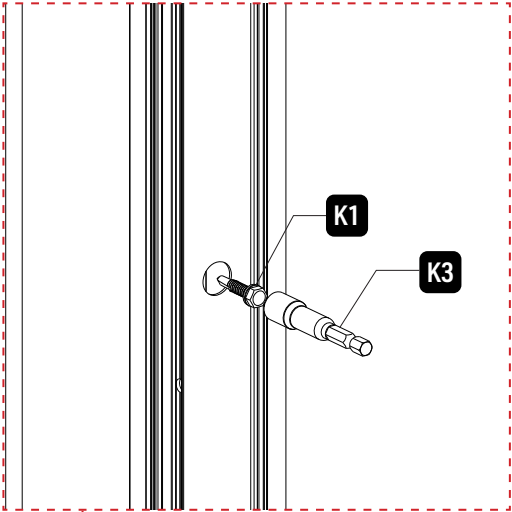
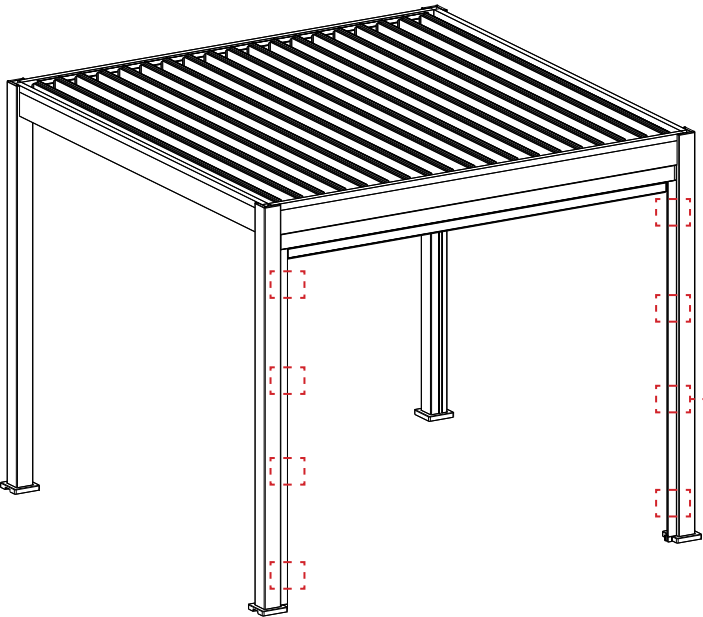
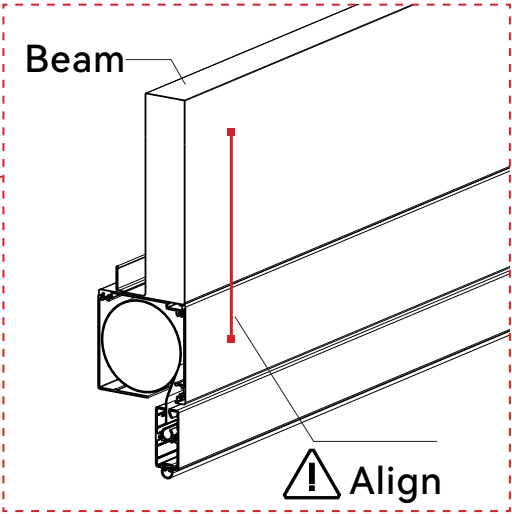
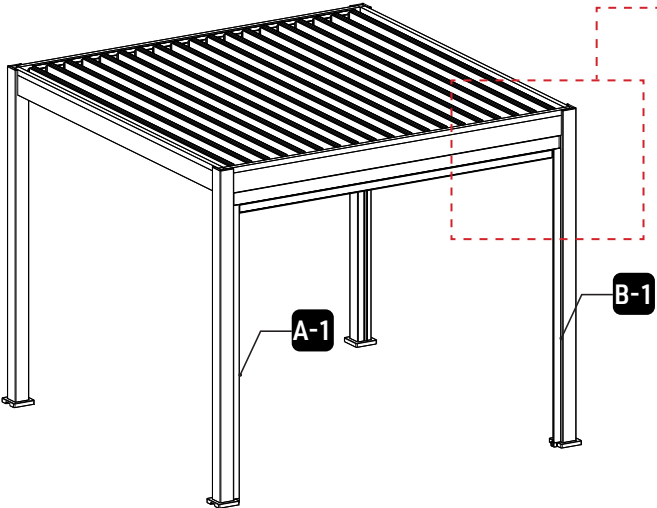
4

Move blind underneath the pergola and erect the entire blind vertically. Do not move A-1 and B-1 back and forth once they are up, but rather move the blind as a whole.



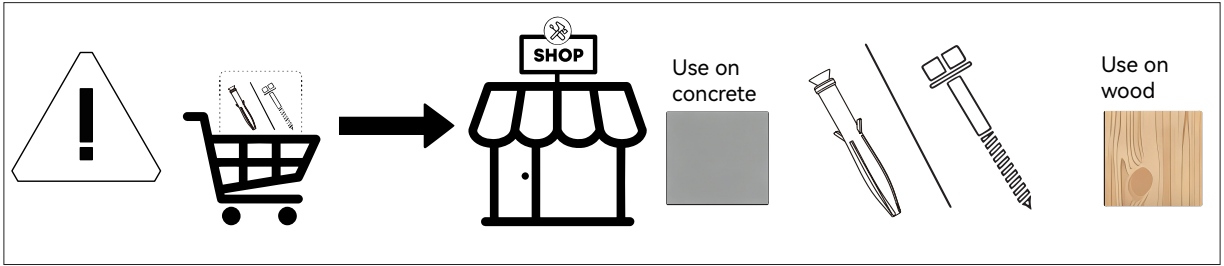
5

Put the frame up and make sure the outer face of wind screen box align with outer face of beam.



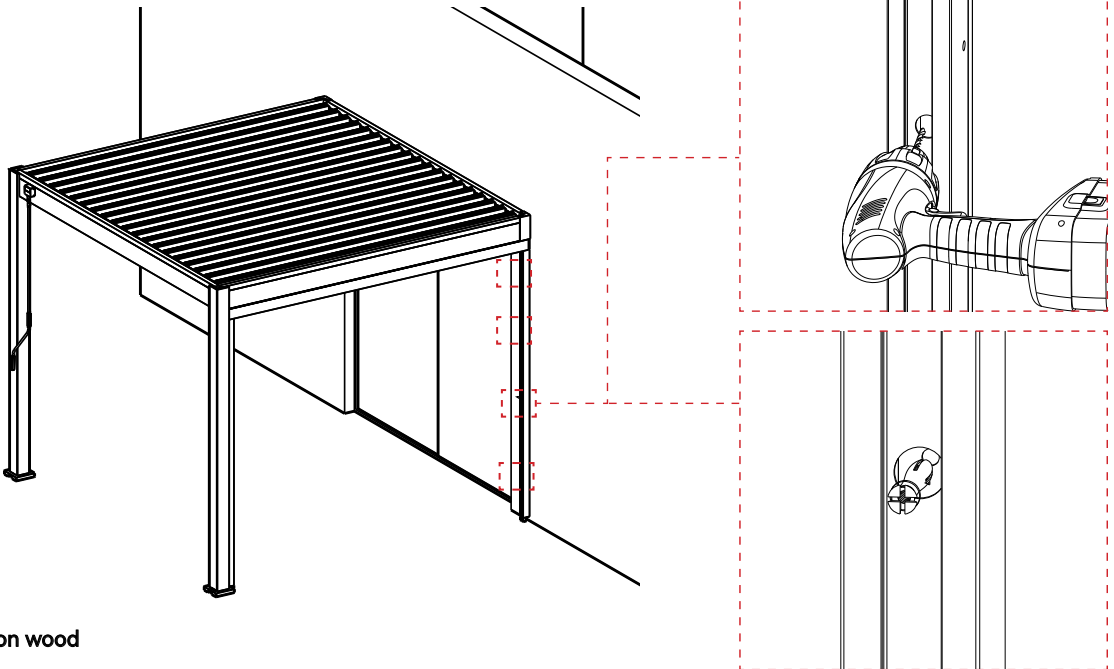
5

When installing your wind screen on the wall-mounted side, you will need to purchase the corresponding screws/ fasteners.



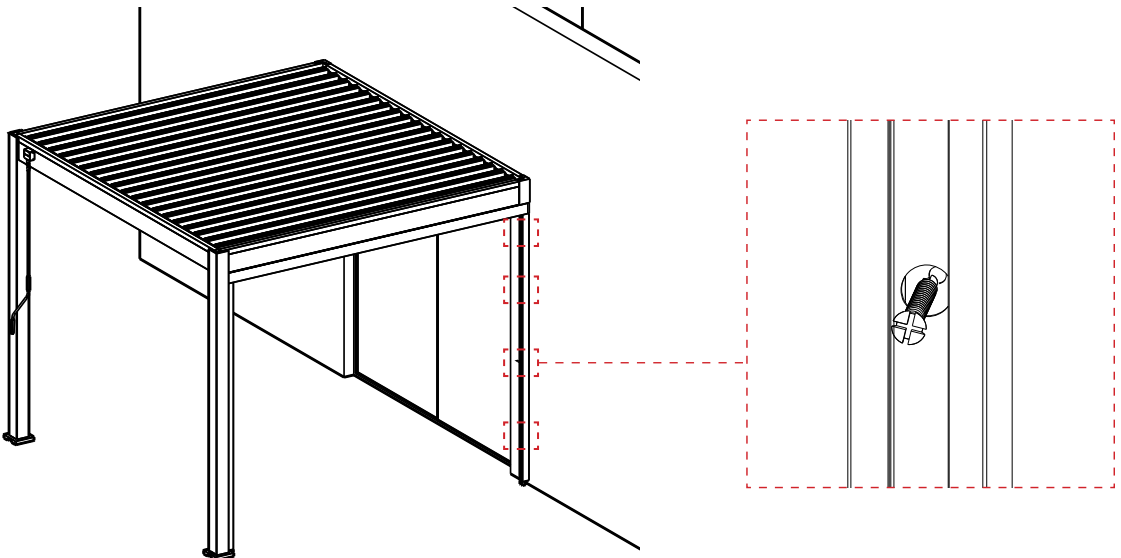
### 1. Use on concrete

1. When installing the wind screen curtain on the wall-mounted side of a single-sided pergola, it is necessary to first drill corresponding holes in the wall according to the positions of the holes in the lattice frame.
2. Install expansion screws into the pre-drilled holes to secure the Wind Screen frame.



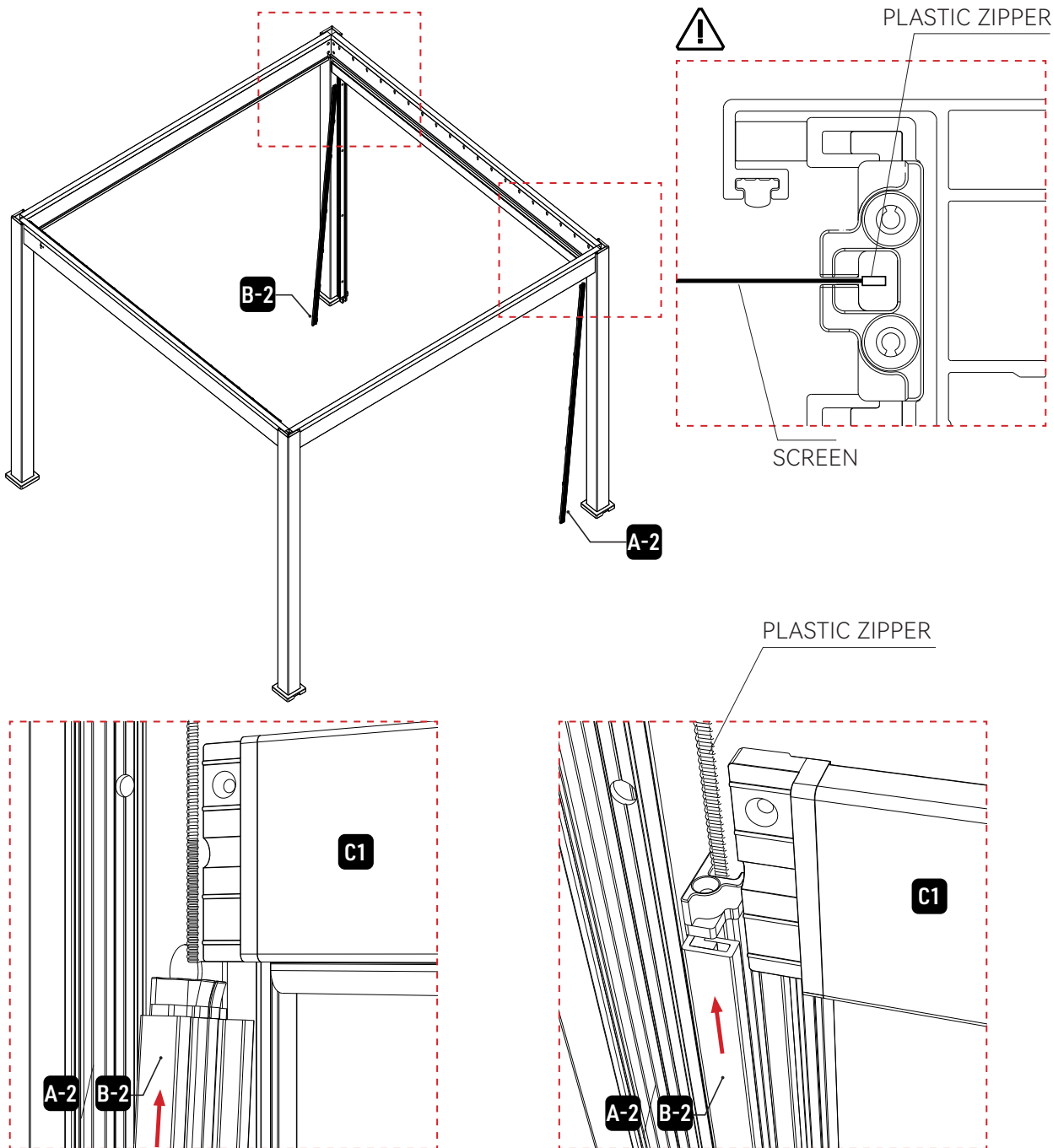
### 2. Use on wood

1. When the wall-mounted side is made of wooden material, directly secure the frame to the wall using fastening screws.



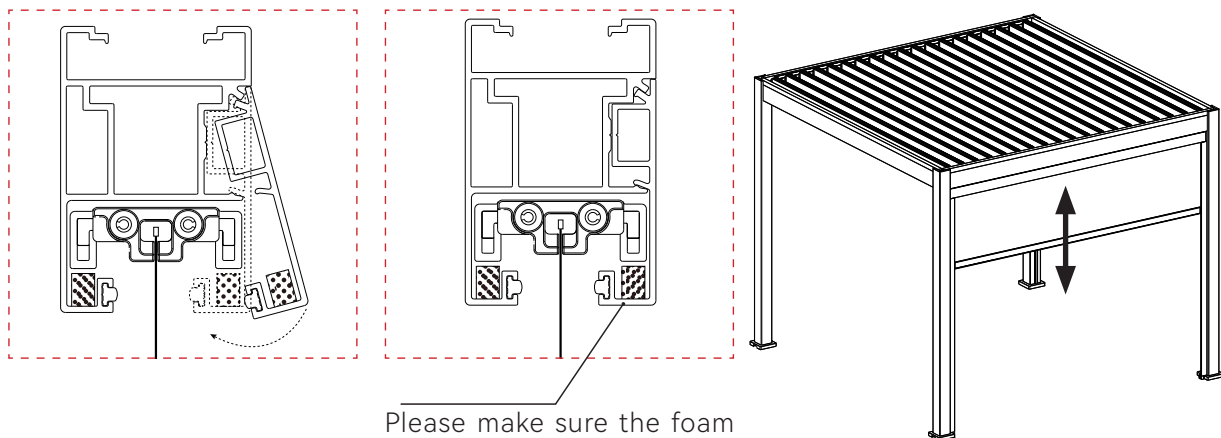
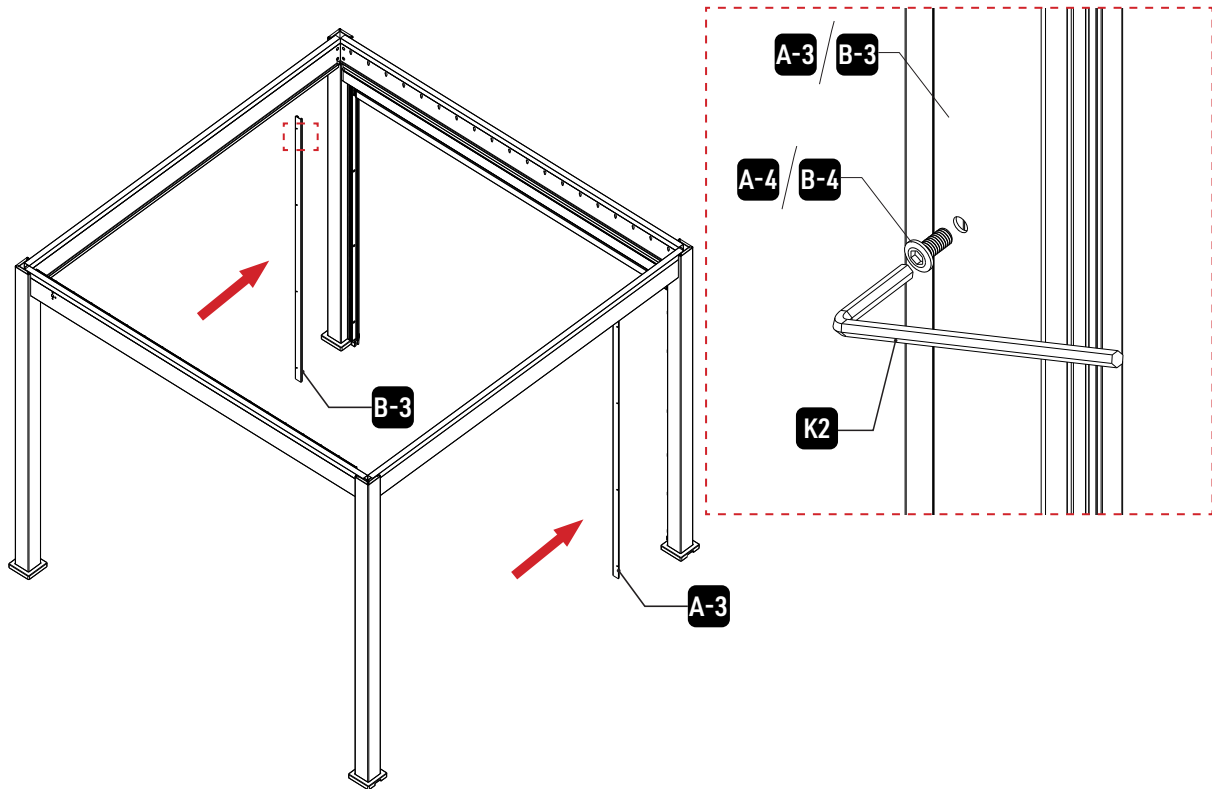
6

- a. Insert A-2 diagonally into the channel of A-3.
- b. Make sure the notch of A-2 meet to side zipper along the screen.
- c. Place A-2 vertically into the channel of A-1.
- d. Repeat the same process in the other side.



7

- a. Insert post cover (A-3/B-3) to the post
- b. Settle sponge block into right position ( see below )
- c. Fix screw slightly ( not to tight )
- d. Test the screen up and down
- e. Fix all screws when you confirm screen is running well.



Please make sure the foam strip on the sides of A-2/ B-2 can be inserted into the U groove of the wind screen's frame.



