

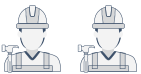
3M Rotatable Horizontal Privacy Panel

Assembly Instructions

Rotatable Horizontal Privacy Panel

Please read the following instructions completely before you begin assembly. Any errors made during installation are not covered by the product's warranty. If you have any questions during the installation process, please call us .

NECESSARY TOOLS AND SAFETY GEAR(NOT SUPPLIED)

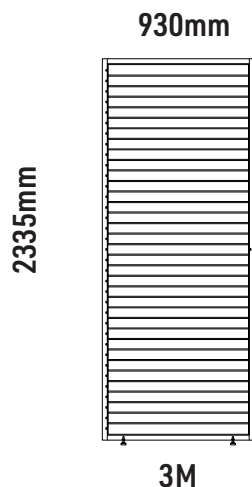


2 PERSONNEL REQUIRED 1 HOURS(1H)

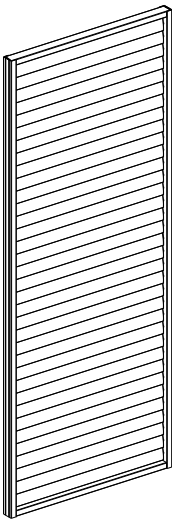
When installing your wind screen on the wall-mounted side, you will need to purchase the corresponding screws/fasteners.








2D&3D FOOTING MEASUREMENT

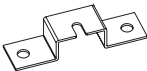



CARTON

Reference	Parts	Quantity
A		1

Reference	Parts	Quantity
#1	 5×19 8mm	10
#2		2

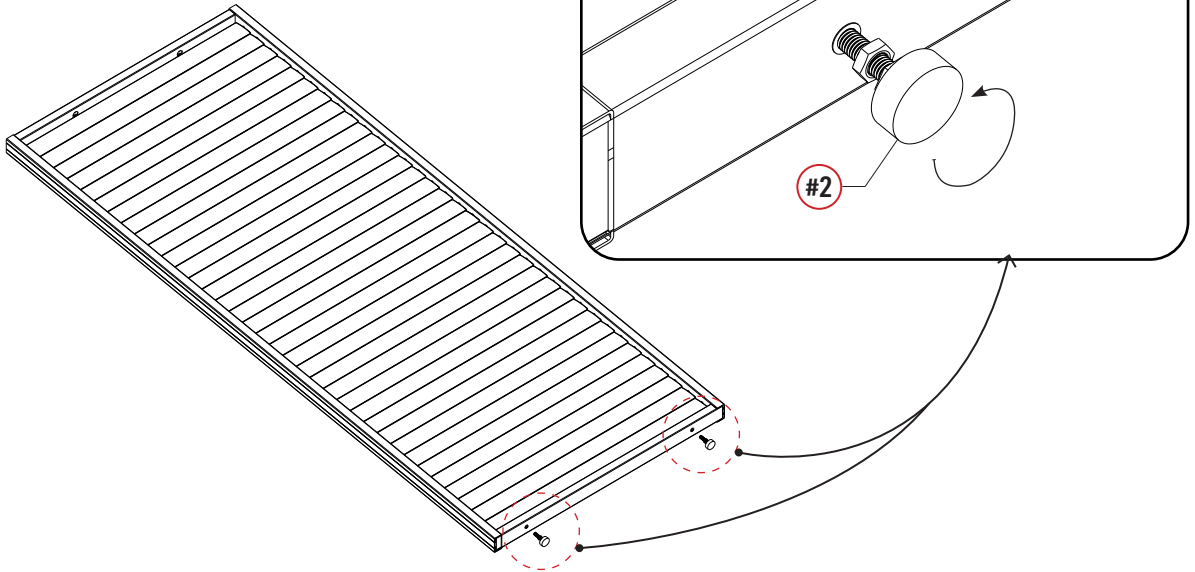
Reference	Parts	Quantity
#3		10
#4		1
#5		2

Reference	Parts	Quantity
K3		1

Reference	Parts	Quantity
K3-1	 8×60	2

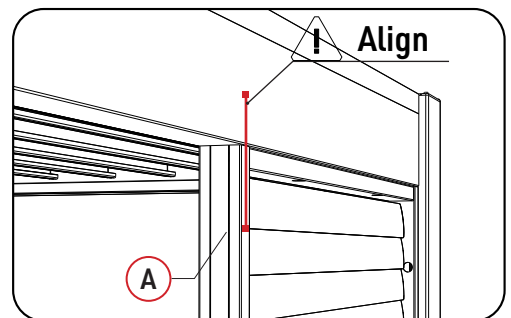
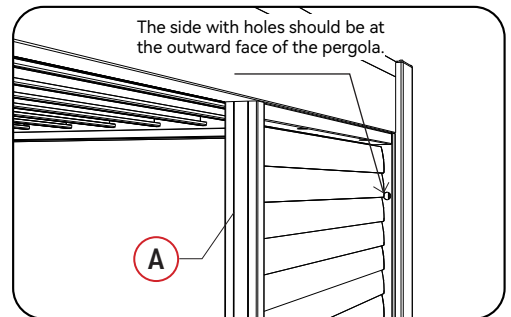
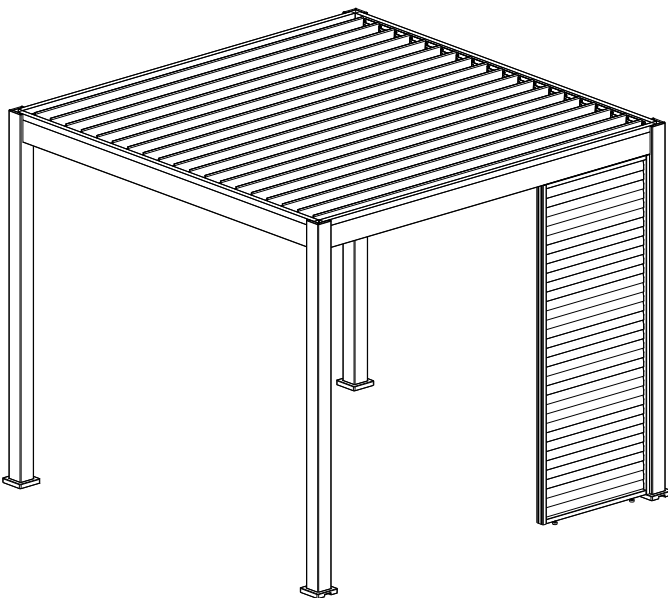
STEP 1

Install the adjustable base under the bottom frame of the privacy panel



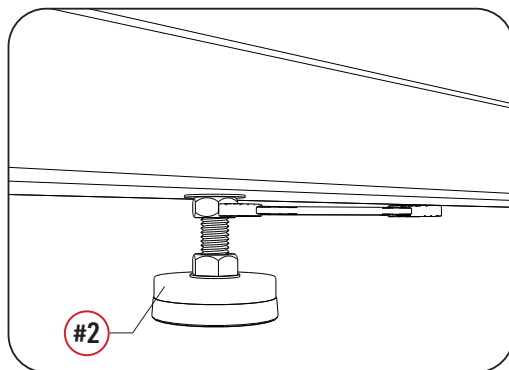
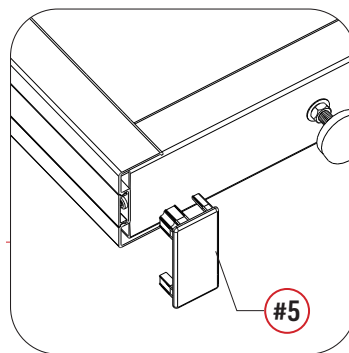
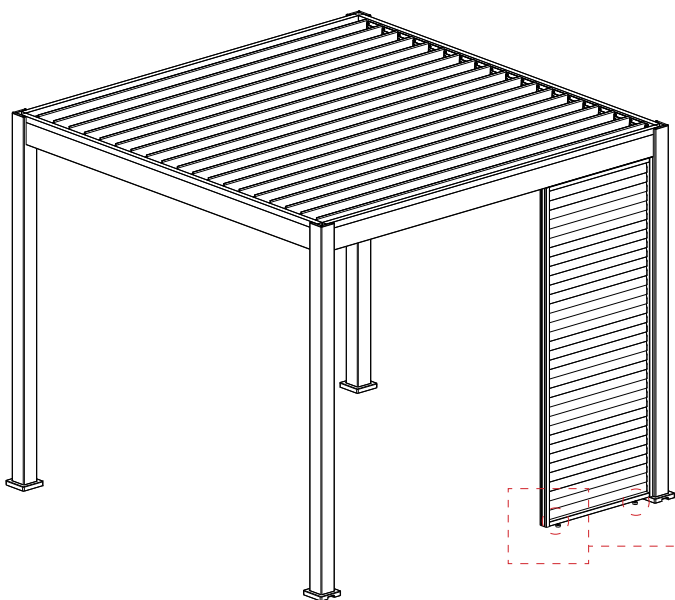
STEP 2

- Place the privacy panel under the pergola as the diagram shows below.
- There are holes on the side frame of the privacy panel, please note that the side with holes should be at the outward face of the pergola.
- Attention! The privacy panel should be aligned with the outer side of the beam.



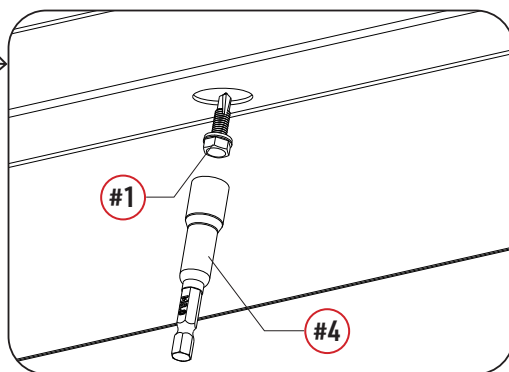
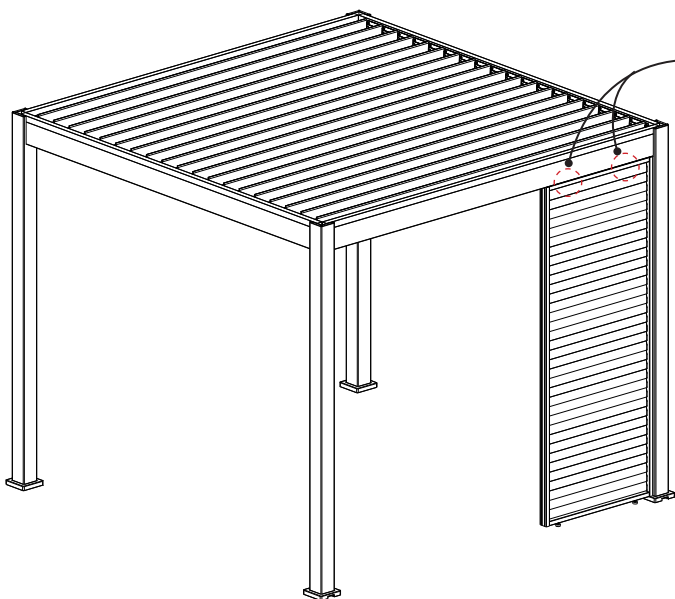
STEP 3

To fix the bottom of the privacy panel on the ground, please fasten the adjustable base with the wrench .



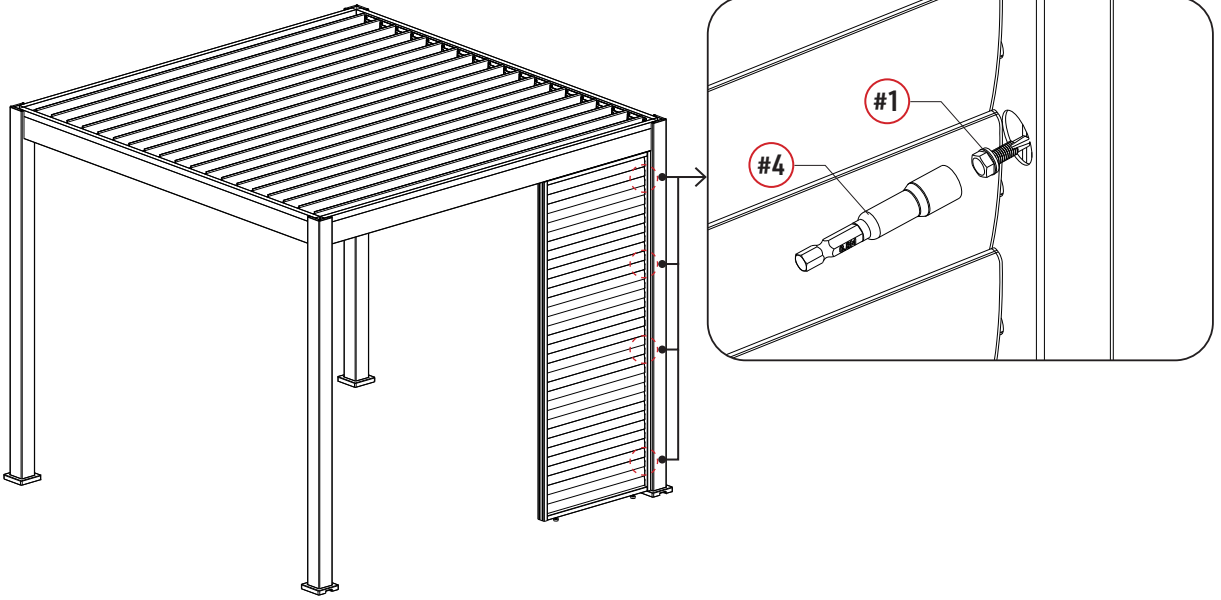
STEP 4

Fix the upper part of the privacy panel with the pergola by using supplied screws.



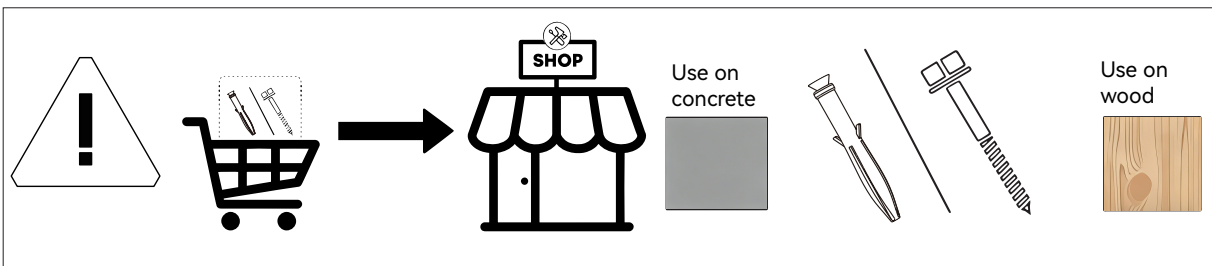
STEP 5

Fasten the side frame of the privacy panel by using supplied screws.



STEP 5-1

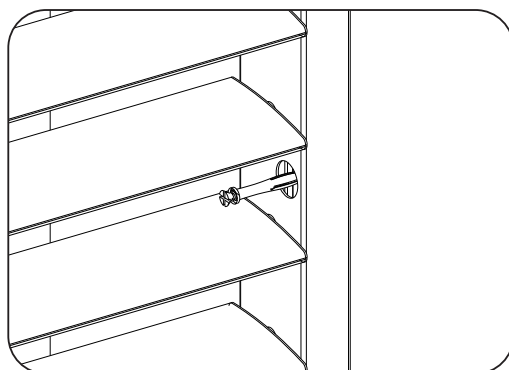
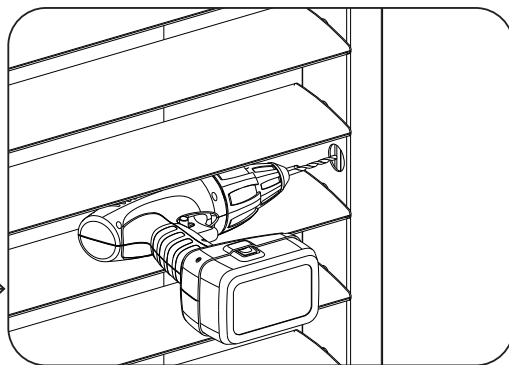
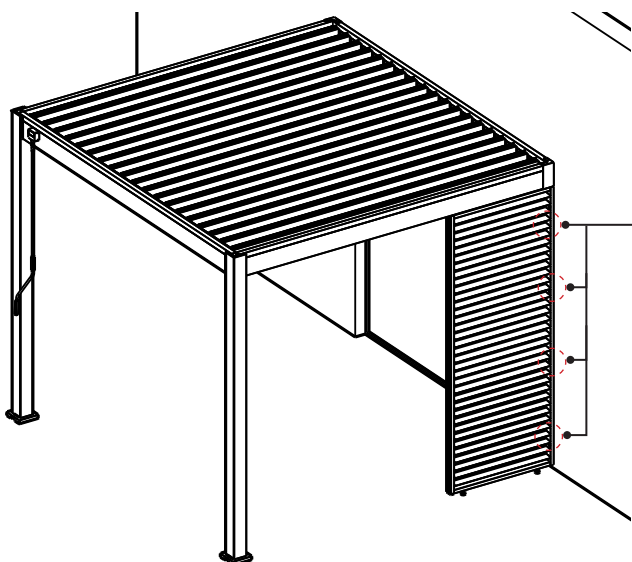
When installing your wind screen on the wall-mounted side, you will need to purchase the corresponding screws/fasteners.



1. Use on concrete

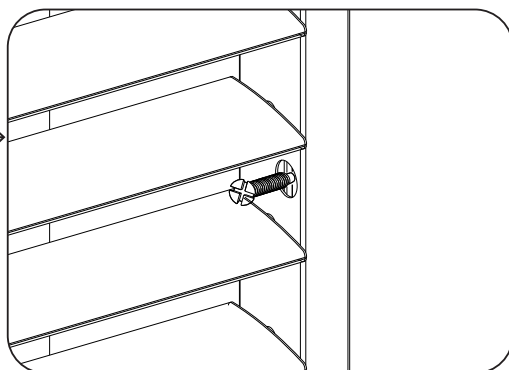
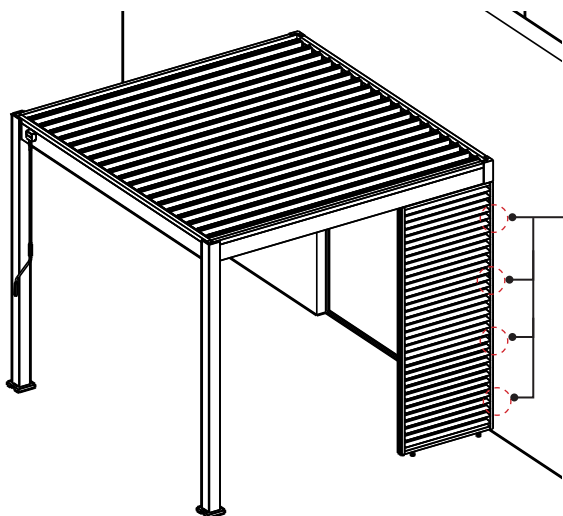
1. When installing the lattice frame on the wall-mounted side of a single-sided pergola, first drill corresponding holes in the wall according to the positions of the holes on the lattice frame.

2. Install expansion screws into the pre-drilled holes to secure the frame.



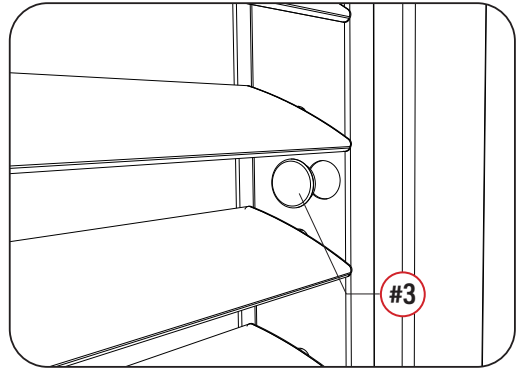
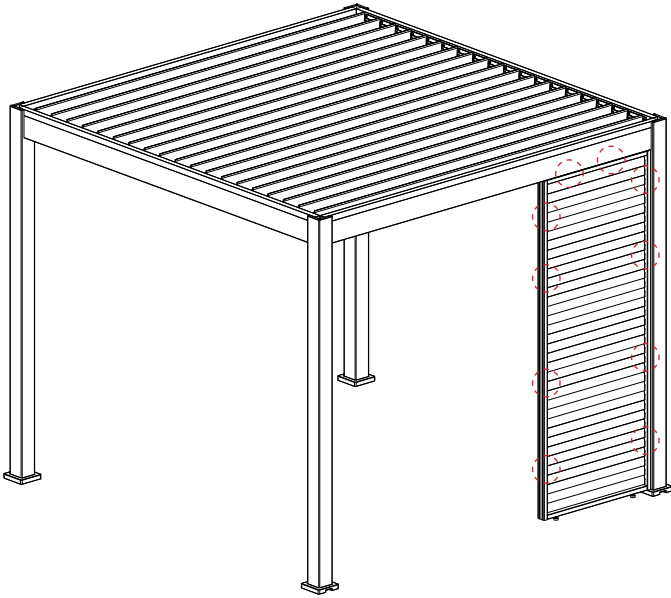
2. Use on wood

1. When the wall-mounted side is made of wooden material, directly secure the frame to the wall using fastening screws.



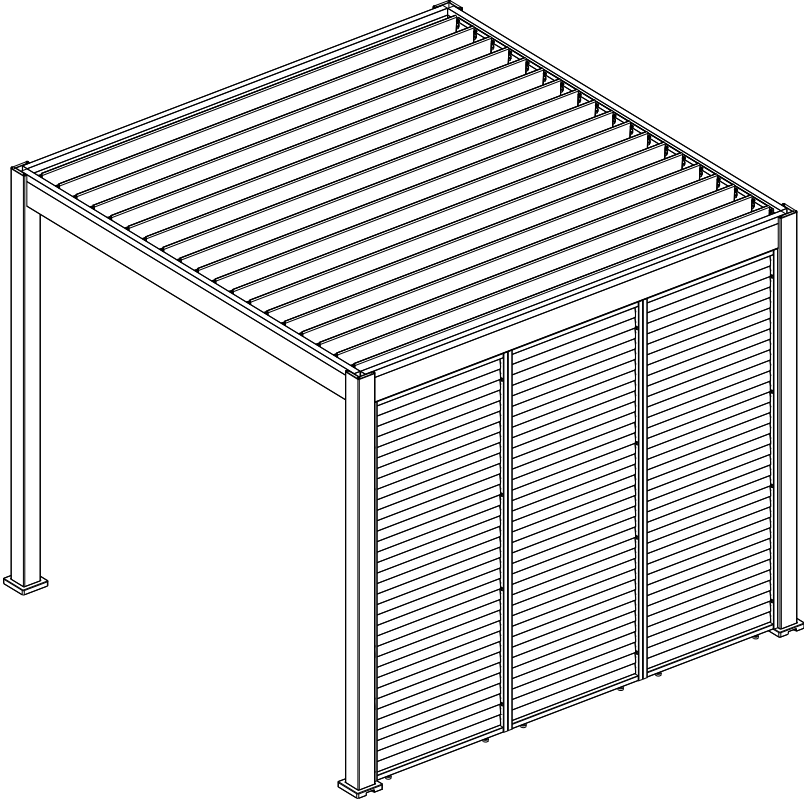
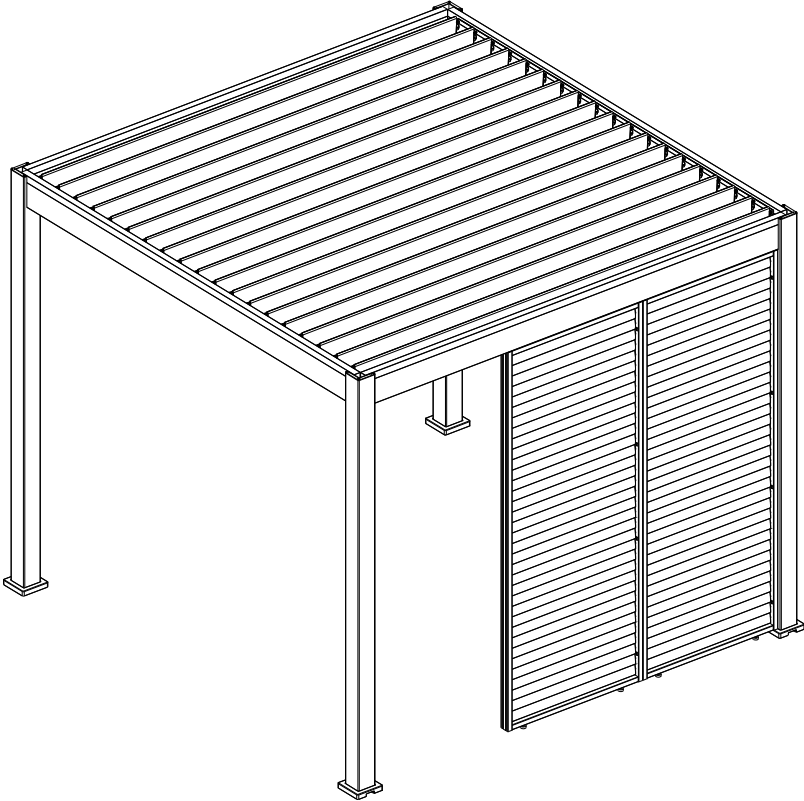
STEP 6

Cover the plastic cap over the holes on the privacy frame.



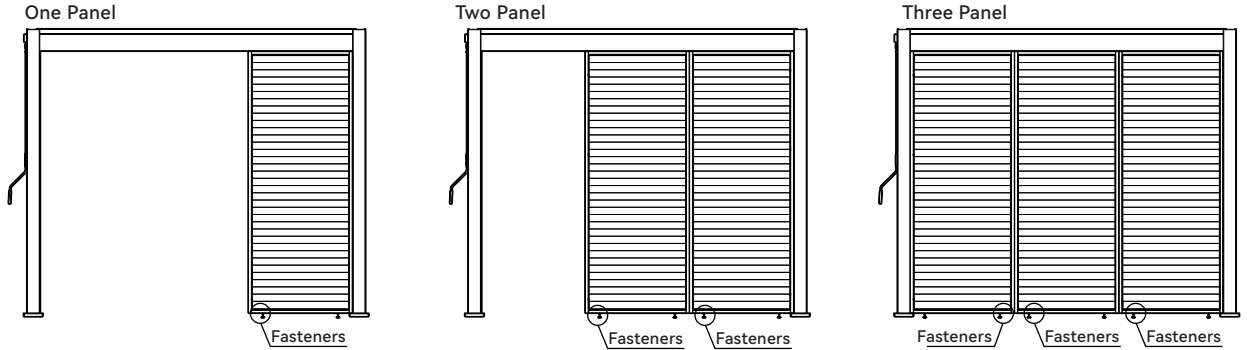
Install Two or More Privacy Panels

To install two or more privacy panels, please repeat the same installation steps as above.

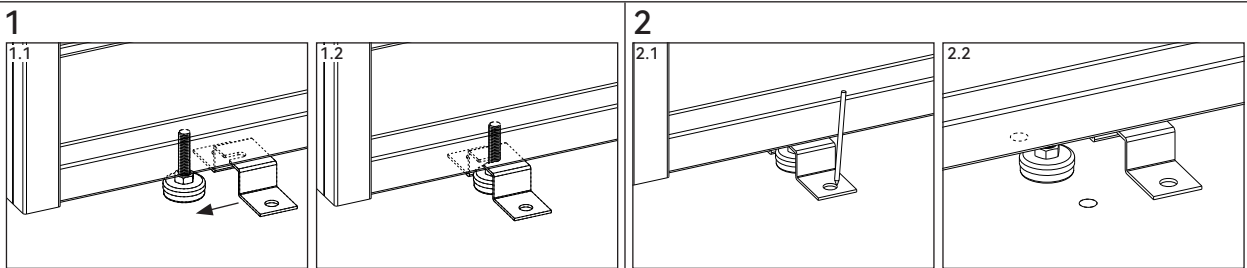
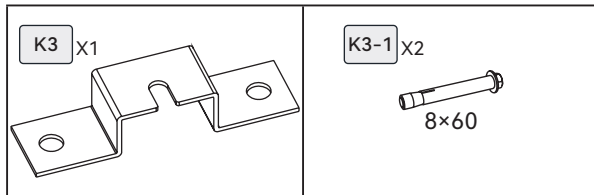




Caution: In regions with frequent strong wind conditions, the base corners shall be fixed using fasteners as shown in the diagram.

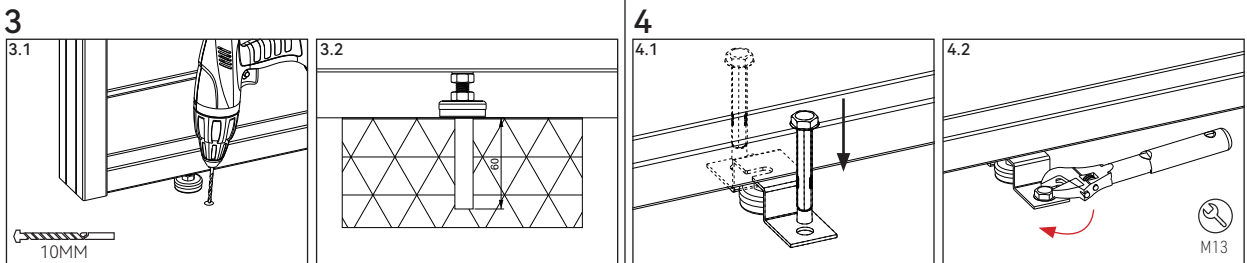


Fasteners



Clip the fasteners into the screws on the base corner support brackets.

Mark the positions to be drilled with a marker, then move the fasteners aside.



Drill downward to a depth of 60mm at the marked hole positions on both sides with a 10mm drill bit.

Fasten it firmly using a 13mm wrench.

